

INTRODUCTION

The Powertac Cadet Gen II high-powered compact EDC light is the updated version to the original Cadet. It features the latest CREE XM-L2 U2 LED which provides a maximum output of 492 Lumens. It has 3 output levels and a strobe to meet all your application requirements. The user friendly functionality includes a push button tail cap for ON/OFF, and a side selector button to adjust the brightness levels. The new Cadet Gen II is in a league of its own. It offers easier use, a longer run-time, and an overall more powerful and brighter light than its predecessor. It can be mounted to a weapon with a low profile weapon mount and a pressure switch for extreme tactical responsiveness. Whether an EDC or weapon mounted, the Cadet Gen II brings a favorable lighting option for your every need.

USAGE INSTRUCTIONS

1. To install battery: Unscrew tail cap. Insert positive end of the battery towards LED. Tighten the tail cap till it's completely closed.
2. To turn the light ON: Push the back switch to click. Once Turned on the flashlight will access the mode last used. To Turn the Light OFF, push the back button to click.
3. To switch light levels: Turn the light on and press the side switch (click). Press side switch again (click) and it will cycle to next light level.
4. Access the direct to strobe function: Turn light on and hold down side switch (long click, 0.3 seconds). The light will remain on strobe until you switch light levels.
5. Toggle Strobe / High Function: Access direct to strobe function; release side switch; hold down side switch again (long click) and light will toggle to high mode. Hold down side switch again (long click) and toggle to strobe again.

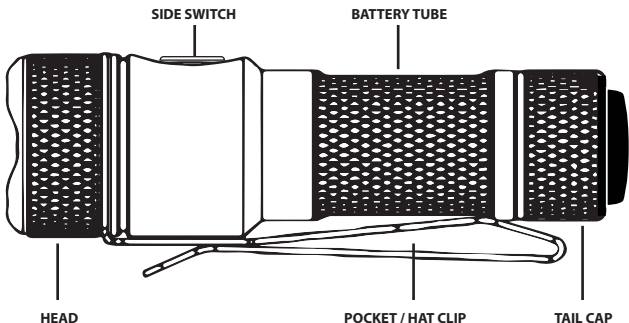
Maintenance

Every 3 months, threads should be wiped with a clean cloth followed by a thin coating of silicon-based lubricant.

LED TYPE: CREE XM-L2 U2 LED — **Battery:** CR123A 4.2V (16340)
RCR123 4.2V (Rechargeable)

ILLUMINATION FUNCTIONS

Battery:	Mode:	Low	Medium	High	Strobe
CR123A	Output:	1 lm	149 lm	361 lm	361 lm
	Runtime:	108 hrs	3.3 hrs	1.2 hrs	2.4 hrs
RCR123A (Rechargeable)	Output:	1 lm	149 lm	492 lm	492 lm
	Runtime:	82 hrs	2.8 hrs	1 hrs	2 hrs



CADET G2

EDC / TACTICAL FLASHLIGHT

USER MANUAL

FEATURES & SPECIFICATIONS

- Powerful CREE XM-L2 U2 LED produces 492 Lumens (with a 4.2V RCR123A rechargeable battery) at the brightest setting including strobe.
- 156 meters of throw with impressive flood to also light up close areas.
- Built in pocket clip that can be used on the bill of a baseball cap. It can also be used as a headlamp.
- Advance digital circuit control technology to maximize battery life and provide consistent light output.
- 4 different settings that include 3 levels of brightness plus a strobe. Auto memorization for all settings.
- Machined from aircraft grade aluminum. Has type III anodized finish.
- Double coated glass lens to give maximum OTF (Out The Front) for maximum brightness and beam distance.
- Waterproof to IPX8 standard. Submersible up to 2 meters under water.

DISCLAIMER

- After long periods of use on the highest setting, the surface area may get hot. Please use caution when using the flashlight in a constant high brightness level. It is recommended to let the flashlight cool down to prevent any injury.
- High intensity light is harmful to human eyes. This product is not meant to be handled by children under the age of 18 without adult supervision.
- Use the highest quality, protected-circuit batteries to insure maximum performance and safety. Consult with the manufacturer regarding any questions or concerns.
- PowerTac's liability is voided if the light is not used in a proper manner or if modified.
- PowerTac reserves the right to change the design and/or specifications of all PowerTac products without prior notice.
- Please do not change batteries at dangerous locations such as gas stations. Batteries must only be changed or removed when light is off.
- Do not use or attempt to recharge a disposable CR123 battery! Do not throw the flashlight into a fire as an explosion may occur.

THE POWERTAC NO-HASSLE LIFETIME WARRANTY

PowerTac warrants our illumination tools to be free from defects in workmanship and materials, including any LEDs housed within, for the lifetime of the original parts (the lifetime of the parts are specified by individual parts manufacturers). We will repair or replace your original purchase of these products, at our discretion, if it is determined by us to be defective. Electronics, chargers, and rechargeable batteries are covered for a period of two years with proof of purchase. Normal wear and tear – including lamps burning out, batteries draining, and switches wearing out – is not covered, nor is damage resulting from misuse, abuse, neglect, battery damage, use of other non-approved batteries or altering these products from their original state. Parts and accessories for illumination tools are not covered by this warranty

WARRANTY DISCLAIMER

The above warranty is exclusive, and to the extent permitted by applicable laws, shall be in lieu of all other warranties, express or implied, including, without limitation, any warranty of merchantability or fitness for a particular use or purpose. PowerTac disclaims any and all liability for product malfunctions, physical injuries, or property damages that result in whole, or in part, from the criminal, negligent, or improper use of the product, or from modifications or alterations thereto. In no event shall PowerTac be liable for any incidental, special, or consequential damages relating to the purchase, use, or performance of any PowerTac product.

WARRANTY CLAIMS

Please go to www.powertaclights.com/warranty and follow instructions.

DISTRIBUTED BY:
POWER TAC LIGHTS INC.
Middletown, NY 10941
www.PowerTacLights.com