

USAGE INSTRUCTIONS

1. To install battery: Unscrew tail cap. Insert positive end of the battery towards LED. Tighten the tail cap till it's completely closed.
2. To turn the light ON: Push the back switch to click. Once Turned on the flashlight will access the mode last used. To Turn the Light OFF, push the back button to click.
3. To switch light levels: Turn the light on and press the side switch (click). Press side switch again (click) will cycle to next light level.
4. Access the direct to strobe function: When the light is off, hold down the side switch or turn light on and hold down side switch (long click, 0.3 seconds). The light will remain on strobe until you switch light levels using the side button.

RECHARGE INSTRUCTIONS

MAGNETIC CHARGING:

1. plug in the usb charging cable to power source
2. Attach magnetic end of charging cable to magnetic charge port
3. The status indicator will turn "RED" to indicate charging mode.
4. When charging is complete the indicator light will change from "RED" to "BLUE"

MICRO USB CHARGING:

1. Using a blunt pointed object (IE: Ball-Point pen tip), carefully insert under rubber portion of magnetic charge port and lift up to remove the magnetic charge port component.
2. Once exposing the waterproof micro usb charge port insert a standard micro usb charging cable to begin charging.
3. Charging indicator will function exactly the same as if using the magnetic option.

LED Type: Cree XHP70 White LED

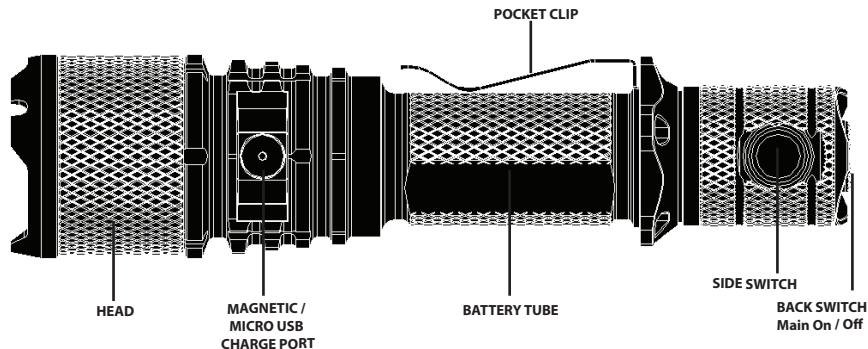
Battery: (1) 18650 HIGH DISCHARGE Rechargeable Li-ion or (2) CR123A
NOT compatible with RCR123A / 16340

Size: Length: 151.9 mm
Bezel Diameter: 36.5mm
Body Diameter: 25.4mm

Weight: 152g (without battery)

Illumination:

Firefly	Low	Medium	High	Turbo	Strobe
0.72 Lumens	95 Lumens	333 Lumens	1430 Lumens	4200 Lumens	830 Lumens
60 days	15 hrs	5.06 hrs	1.23 hrs	1.23 hrs	3.05 hrs



WARRIOR-G4FL

RECHARGEABLE FLASHLIGHT

USER MANUAL

LOW BATTERY INDICATOR

- 30% depleted the indicator will turn “RED”
- 10% depleted the indicator will FLASH “RED”

MAINTENANCE

Every 3 months, threads should be wiped with a clean cloth followed by a thin coating of silicon-based lubricant.

FEATURES & SPECIFICATIONS

- Simple user interface for tactical and self-defense .
Integrated side switch for quick access of functions.
- Unique digital circuit technology to maximize battery life and give consistent light output.
- Reverse polarity protection. Protects from improper battery installation.
- 6 different settings that include 5 levels of brightness plus a strobe. Auto memorization for all settings.
- Machined from aircraft grade aluminum. Has type III anodized finish.
- Double coated glass lens to give maximum OTF (Out The Front) brightness and beam distance.
- Tempered glass to resist breaking and scratching upon impact.
- Waterproof to IPX8 standard. Submersible up to 2 meters under water.

DISCLAIMER

- After long periods of use on the highest setting, the surface area may get hot. Please use caution when using the flashlight in a constant high brightness level. It is recommended to let the flashlight cool down to prevent any injury.
- High intensity light is harmful to human eyes. This product is not meant to be handled by children under the age of 18 without adult supervision.
- Use the highest quality, protected-circuit batteries to insure maximum performance and safety. Consult with the manufacturer regarding any questions or concerns.
- PowerTac’s liability is voided if the light is not used in a proper manner or if modified.
- PowerTac reserves the right to change the design and/or specifications of all PowerTac products without prior notice.
- Please do not change batteries at dangerous locations such as gas stations. Batteries must only be changed or removed when light is off.
- Do not use or attempt to recharge a disposable CR123 battery! Do not throw the flashlight into a fire as an explosion may occur.

THE POWERTAC NO-HASSLE LIFETIME WARRANTY

Please visit our website at powertac.com for full warranty policy.

WARRANTY DISCLAIMER

The above warranty is exclusive, and to the extent permitted by applicable laws, shall be in lieu of all other warranties, express or implied, including, without limitation, any warranty of merchantability or fitness for a particular use or purpose. PowerTac disclaims any and all liability for product malfunctions, physical injuries, or property damages that result in whole, or in part, from the criminal, negligent, or improper use of the product, or from modifications or alterations thereto. In no event shall PowerTac be liable for any incidental, special, or consequential damages relating to the purchase, use, or performance of any PowerTac product.

WARRANTY CLAIMS

Please go to www.powertac.com/warranty and follow instructions.

© 2019 POWERTAC USA, INC. ALL RIGHTS RESERVED

WWW.POWERTAC.COM